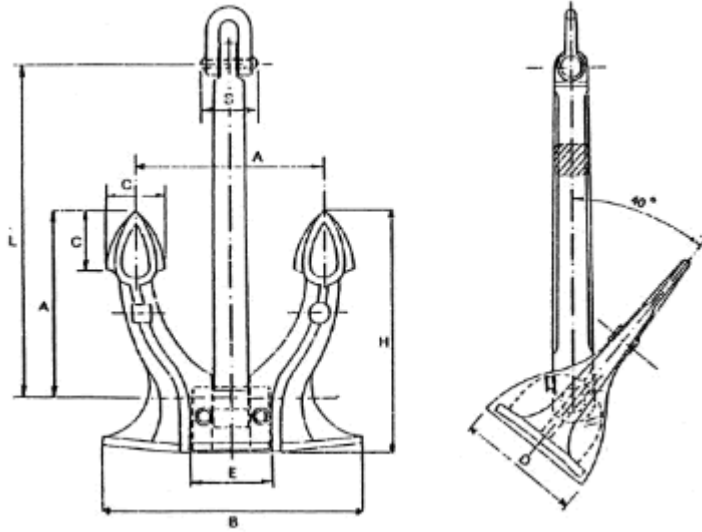


Property of Saxton Marine

Spek Anchor

Please note that dimensions and weights are nominal and small variations are reserved.



The Spek anchor is a stockless anchor type. The Spek anchor is one of the most common anchors and designed to fit anchor pockets on modern ships

The Spek anchors are available in weights between 80kg to 15000kg.

Spek anchors can be supplied with full certification, from all major classification societies.

| Weight in Kgs | Approximate Dimensions in mm | | | | | | |
|---------------|------------------------------|------|-----|-----|-----|------|------|
| | A | B | C | D | E | H | L |
| 240-310 | 500 | 680 | 160 | 342 | 220 | 650 | 900 |
| 310-380 | 550 | 760 | 175 | 390 | 228 | 716 | 990 |
| 380-480 | 600 | 827 | 190 | 412 | 258 | 780 | 1080 |
| 480-610 | 650 | 902 | 205 | 442 | 280 | 846 | 1170 |
| 610-735 | 700 | 960 | 221 | 472 | 302 | 910 | 1260 |
| 735-880 | 750 | 1030 | 235 | 502 | 320 | 975 | 1350 |
| 880-1030 | 800 | 1100 | 251 | 542 | 340 | 1040 | 1440 |
| 1030-1150 | 850 | 1170 | 270 | 568 | 362 | 1102 | 1530 |
| 1150-1400 | 900 | 1240 | 286 | 587 | 388 | 1158 | 1620 |
| 1400-1750 | 950 | 1299 | 295 | 644 | 420 | 1229 | 1710 |

Property of Saxton Marine

| | | | | | | | |
|-------------|------|------|-----|------|-----|------|------|
| 1750-2020 | 1000 | 1378 | 316 | 671 | 442 | 1300 | 1800 |
| 2020-2360 | 1050 | 1454 | 330 | 706 | 460 | 1362 | 1890 |
| 2360-2750 | 1100 | 1514 | 343 | 744 | 480 | 1424 | 1980 |
| 2750-3000 | 1150 | 1594 | 362 | 788 | 492 | 1502 | 2070 |
| 3000-3700 | 1200 | 1650 | 380 | 801 | 520 | 1560 | 2160 |
| 3700-4000 | 1350 | 1850 | 418 | 890 | 580 | 1743 | 2430 |
| 4000-5100 | 1400 | 1927 | 438 | 910 | 610 | 1813 | 2520 |
| 5100-5800 | 1450 | 2000 | 451 | 954 | 626 | 1864 | 2610 |
| 5800-6500 | 1500 | 2060 | 467 | 993 | 642 | 1946 | 2700 |
| 6500-8000 | 1550 | 2138 | 490 | 1030 | 650 | 2006 | 2790 |
| 8000-9600 | 1700 | 2333 | 533 | 1118 | 734 | 2210 | 3060 |
| 9600-11700 | 1770 | 2449 | 553 | 1178 | 782 | 2301 | 3186 |
| 11700-14100 | 1910 | 2632 | 603 | 1270 | 844 | 2483 | 3438 |
| 14100-17000 | 2050 | 2825 | 648 | 1360 | 876 | 2655 | 3690 |

Saxton

MARINE

E: info@saxtonmarine.co.uk

Tel: +44 (0) 1446 781092