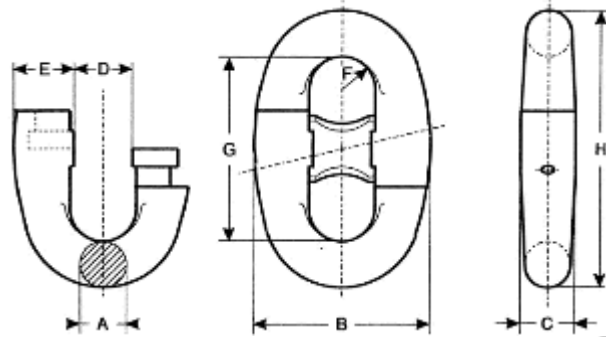


Property of Saxton Marine

Kenter Connecting Link

The Kenter joining shackle is used to join two stud link chain elements ending in a common link. Its made of Heavy Duty forged steel (U2- U3 grade).

Please note that dimensions and weights are nominal and small variations are reserved. E & OE



DN mm	NS Inches	A mm	B mm	C mm	D mm	E mm	F mm	G mm	H mm	Kg
14	9/16	14	59	21	16	22	9	56	84	0.5
16	5/8	16	67	24	18	25	11	64	96	0.6
17.5	11/16	18	73	27	20	27	12	70	105	0.8
19	3/4	19	79	29	21	29	13	76	114	1
20.5	13/16	21	86	31	23	32	14	82	123	1.6
22	7/8	22	92	33	24	34	15	88	132	1.6
24	15/16	24	100	36	27	37	16	96	144	2
26	1	26	109	40	29	40	17	104	156	2.7
28	1 1/8	28	117	43	31	43	18	112	168	3.3
30	1 3/16	30	125	46	33	47	20	120	180	3.9
32	1 1/4	32	134	49	36	50	21	128	192	4.6
34	1 3/8	34	142	52	38	53	22	136	204	5.8
36	1 7/16	36	150	55	40	56	24	144	216	6.6

Property of Saxton Marine

38	1 1/2	38	159	58	42	59	25	152	228	7.8
40	1 9/16	40	167	61	45	62	26	160	240	9.8
42	1 5/8	42	176	64	47	65	28	168	252	10.6
44	1 3/4	44	184	67	49	68	29	176	264	12
46	1 13/16	46	192	70	51	71	30	184	276	14
48	1 7/8	48	201	73	53	74	32	192	288	15.5
50	2	50	209	76	56	78	33	200	300	17.5
52	2 1/16	52	217	79	58	81	34	208	312	20
54	2 1/8	54	226	82	60	84	36	216	324	22
56	2 3/16	56	234	85	62	87	37	224	336	26
58	2 1/4	58	242	88	65	90	38	232	348	30
60	2 3/8	60	251	91	67	93	40	240	360	31.5
62	2 7/16	62	259	94	70	96	41	248	372	34
64	2 1/2	64	268	97	72	99	42	256	384	38
66	2 9/16	66	276	100	74	102	44	264	396	44
68	2 11/16	68	284	103	76	105	45	272	408	47
70	2 3/4	70	293	106	78	109	46	280	420	52
73	2 7/8	73	305	111	81	113	48	292	438	57.5
76	3	76	318	116	85	118	50	304	456	65
78	3 1/16	78	326	119	87	121	51	312	468	70
81	3 3/16	82	343	125	90	127	54	328	492	82
84	3 5/8	84	351	128	94	130	55	336	504	88
87	3 7/16	87	364	132	97	135	57	348	522	95
90	3 1/2	90	376	137	101	140	59	360	540	104
92	3 5/8	92	385	140	103	143	61	368	552	112

Property of Saxton Marine

95	3 ³ / ₄	95	397	144	106	147	63	380	570	123
97	3 ¹³ / ₁₆	97	405	147	108	150	64	388	582	131
100	3 ¹⁵ / ₁₆	100	418	152	112	155	66	400	600	144
102	4	102	426	155	114	158	67	408	612	151

