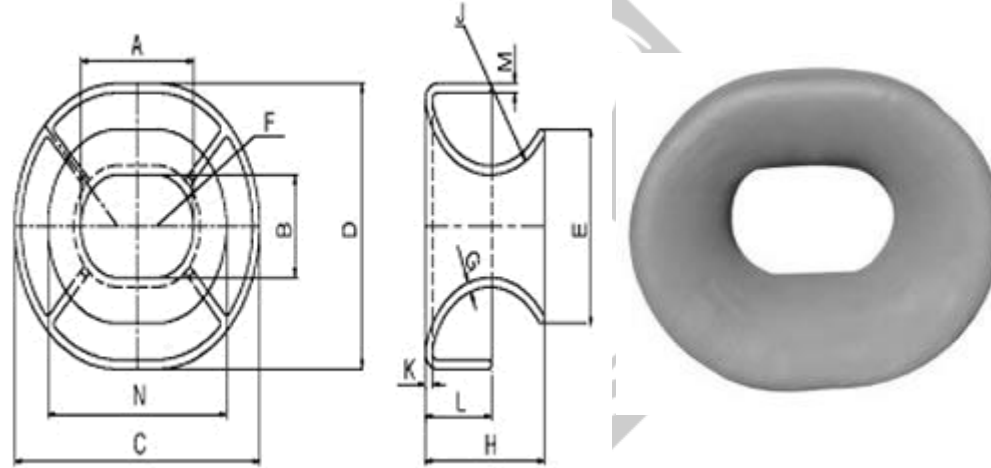


## Property of Saxton Marine

### Bulwark Mounted Panama Bows

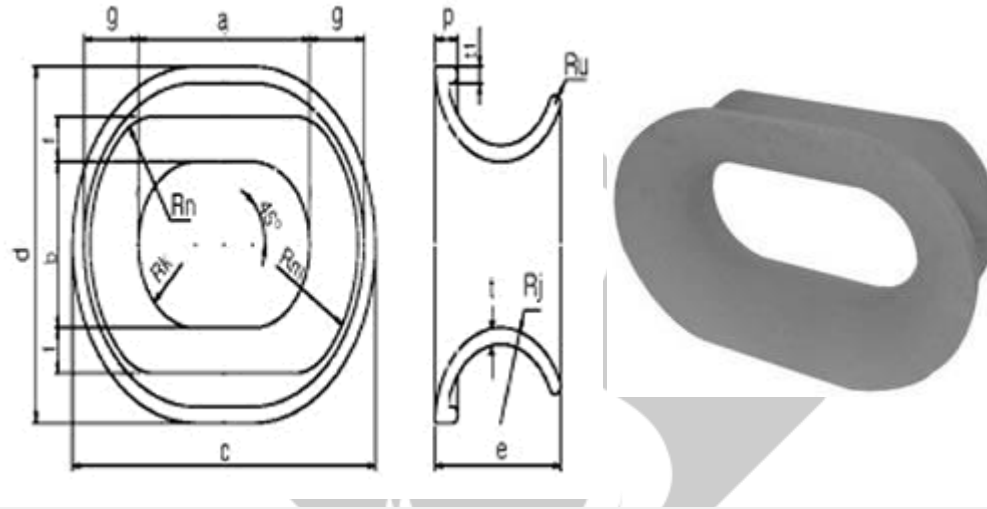
Please note that dimensions and weights are nominal and small variations are reserved. E & OE



Code	Clear Opening	A	B	C	D	E	F	G	H	J	K	L	M	N	Weight (Kgs)
<b>Seine</b>	315 x 250	315	250	695	630	432	125	22	342	190	22	190	22	497	198
<b>Rhine</b>	425 x 280	425	280	925	780	531	140	28	450	250	26	250	26	676	358
<b>Torrens</b>	610 x 305	610	305	1130	862	565	152	21	356	178	21	224	21	965	396
<b>Mississippi</b>	600 x 450	600	450	1160	1010	706	225	30	504	280	30	280	30	866	629

SAXTON  
MARINE

## Property of Saxton Marine



Code	Size	A	B	C	D	E	F	G	Rj	Rk	Rm	Rn	P	T	Ru	T1	Weight (Kgs)
<b>Vis 2 Swedish Std</b>	300 x 200	300	200	530	430	220	55	85	115	100	185	82	40	20	10	20	60
<b>Vis 2 Swedish Std</b>	400 x 250	400	250	750	600	340	100	130	180	125	255	152	50	25	12.5	25	144
<b>DVS 47004 Danish Std</b>	300 x 250	300	250	660	610	348	100	130	180	125	255	152	50	20	10	25	101
<b>DVS 47004 Danish Std</b>	400 x 250	400	250	760	610	348	100	130	180	125	255	152	50	25	12.5	25	144
<b>NS 2589 Norsk Std</b>	300 x 250	300	250	660	610	348	100	130	180	125	255	152	50	20	10	25	101
<b>NS 2589 Norsk Std</b>	400 x 250	400	250	760	610	348	100	130	180	125	255	152	50	25	12.5	25	143
<b>NS2589 CP Pit Norsk Std</b>	400 x 250	400	250	760	610	348	100	130	180	125	255	~	170	25	12.5	~	230

SAXTON  
MARINE