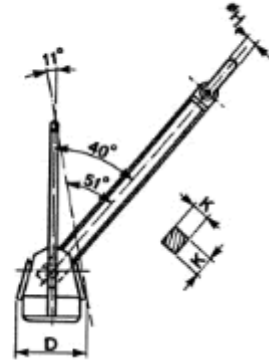
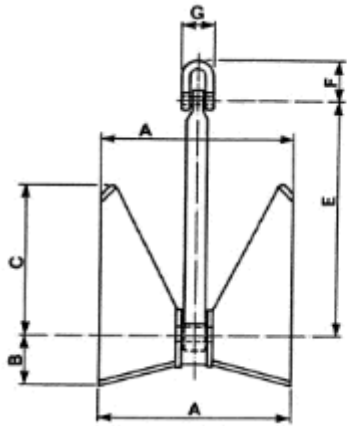


## Property of Saxton Marine

### SAX TW Execution Standard (HHP)

Please note that dimensions and weights are nominal and small variations are reserved.



SAX TW anchors are High Holding Power (HHP) anchors, with large flat flukes and are a stockless anchor type.

The SAX TW anchor has the main edges honed for digging and grip. They are normally supplied with crownplates to prevent the anchor digging in too deeply.

SAX TW SHHP anchors can be supplied with certification, from all major classification societies.

Anchor Weight (kg)	<i>Dimensions in mm</i>								
	A	B	C	D	E	F	G	H	K
62	549	142	425	207	657	107	77	22	65
79	595	154	461	224	712	107	77	22	70
97	637	165	494	240	762	107	77	22	75
114	672	174	521	253	804	107	77	22	75
138	716	185	555	270	857	134	98	28	80
149	735	190	570	277	879	134	98	28	85
167	763	197	592	288	913	134	98	28	85
184	788	204	611	297	943	134	98	28	90
202	813	210	630	307	973	134	98	28	95
219	835	216	648	315	1000	134	98	28	95
237	858	222	665	323	1027	134	98	28	100
255	879	227	681	331	1052	161	111	32	100

## Property of Saxton Marine

272	898	232	696	338	1075	161	111	32	100
294	922	238	714	347	1103	161	111	32	100
320	948	245	735	357	1135	161	111	32	110
347	974	252	755	367	1166	202	140	40	110
373	998	258	773	376	1194	202	140	40	110
404	1025	265	794	386	1226	202	140	40	120
439	1053	272	816	397	1260	202	140	40	120
474	1081	279	838	407	1293	202	140	40	120
509	1107	286	858	417	1324	202	140	40	130
544	1131	292	877	426	1354	234	173	50	130
579	1155	298	895	435	1382	234	173	50	130
617	1180	305	915	445	1412	234	173	50	130
649	1200	310	930	452	1436	234	173	50	140
685	1222	316	947	460	1462	234	173	50	140
724	1245	322	965	469	1489	234	173	50	140
768	1269	328	984	478	1519	234	173	50	140
817	1296	335	1004	488	1551	306	210	60	150
856	1316	340	1020	496	1575	306	210	60	150
960	1368	353	1060	516	1637	306	210	60	160
1050	1409	364	1092	531	1687	306	210	60	160
1140	1448	374	1123	546	1734	306	210	60	170
1230	1486	384	1151	560	1778	361	260	75	170
1320	1521	393	1179	573	1820	361	260	75	170
1425	1560	403	1209	588	1867	361	260	75	180
1530	1598	413	1238	602	1912	361	260	75	180

## Property of Saxton Marine

1650	1638	423	1270	618	1961	361	260	75	190
1770	1677	433	1300	632	2007	361	260	75	190
1890	1714	443	1329	646	2052	400	285	80	200
2025	1754	453	1360	661	2099	400	285	80	200
2160	1792	463	1389	676	2145	447	320	90	200
2295	1829	473	1418	689	2189	447	320	90	210
2445	1868	483	1448	704	2236	447	320	90	210
2625	1913	494	1482	721	2289	447	320	90	220



# Saxton

# M A R I N E

E: [info@saxtonmarine.co.uk](mailto:info@saxtonmarine.co.uk)

Tel: +44 (0) 1446 781092