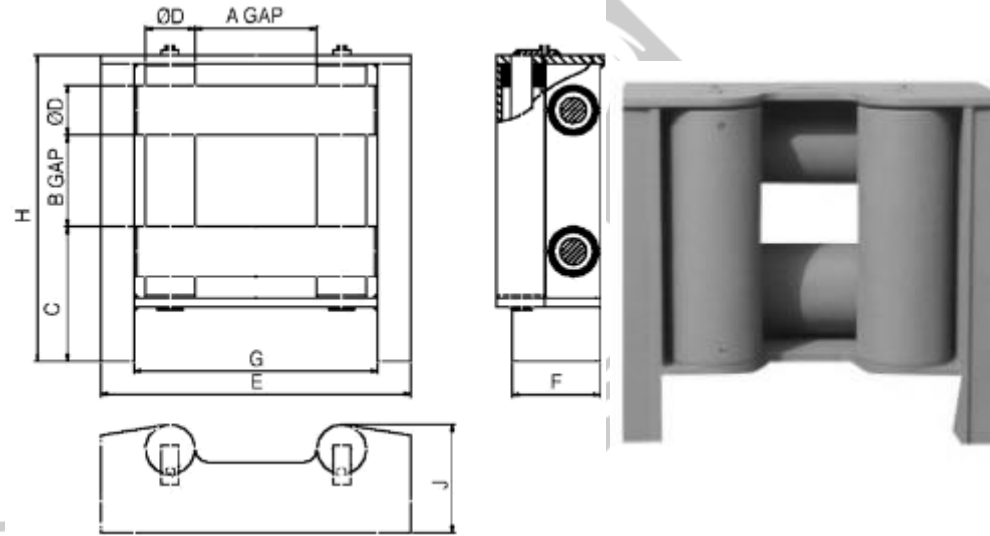


Property of Saxton Marine

Multi-Angle Fairleads or Roller Chocks

Please note that dimensions and weights are nominal and small variations are reserved. E & OE

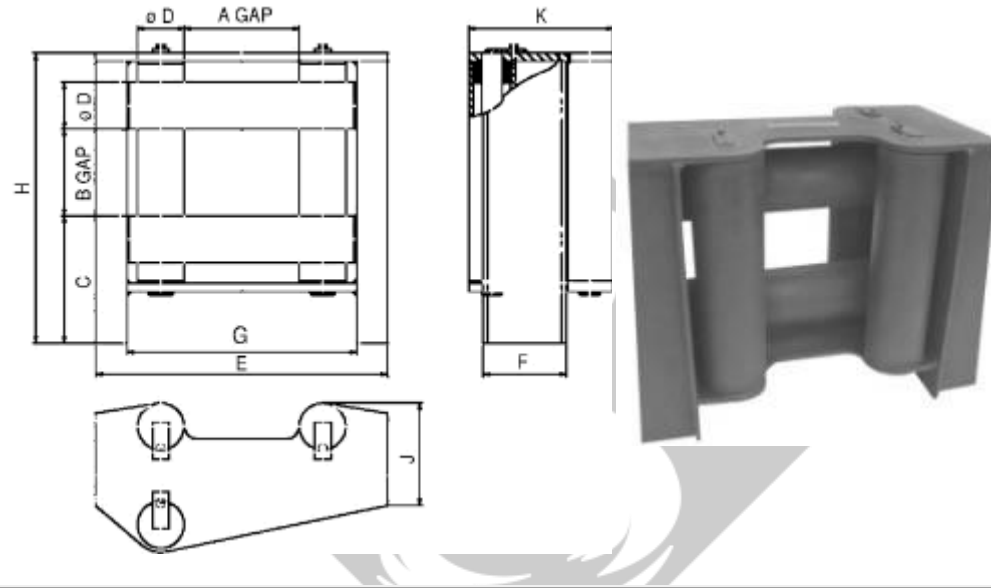


Type	Part Number	SWL (tonnes)	Diameter Wire Rope	A	B	C	D	E	F	G	H	J
114	A2-605	5	-10	254	152	309	114	686	203	534	645	248
140	A2-608	8	-16	254	152	335	140	756	254	578	697	300
168	A2-610	12	-20	254	152	363	168	812	305	634	753	356
194	A1-612	20	-28	324	200	389	194	966	381	762	853	408
273	A1-614	24	-32	324	200	543	273	1124	432	920	1111	566

E: info@saxtonmarine.co.uk

Tel: +44 (0) 1446 781092

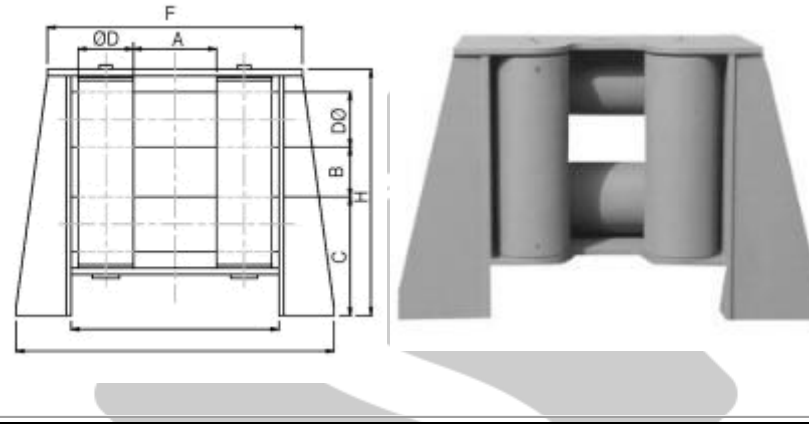
Property of Saxton Marine



Type	Part Number	SWL (tonnes)	Diameter Wire Rope	A	B	C	D	E	F	G	H	J	K
114	A2-606	5	-10	254	152	309	114	686	203	534	645	248	362
140	A2-609	8	-16	254	152	335	140	756	254	578	697	300	440
168	A2-611	12	-20	254	152	363	168	812	305	834	753	356	524
194	A1-613	20	-28	324	200	389	194	966	381	762	853	408	602
273	A1-615	24	-32	324	200	543	273	1124	432	920	1111	566	838

M A R I N E

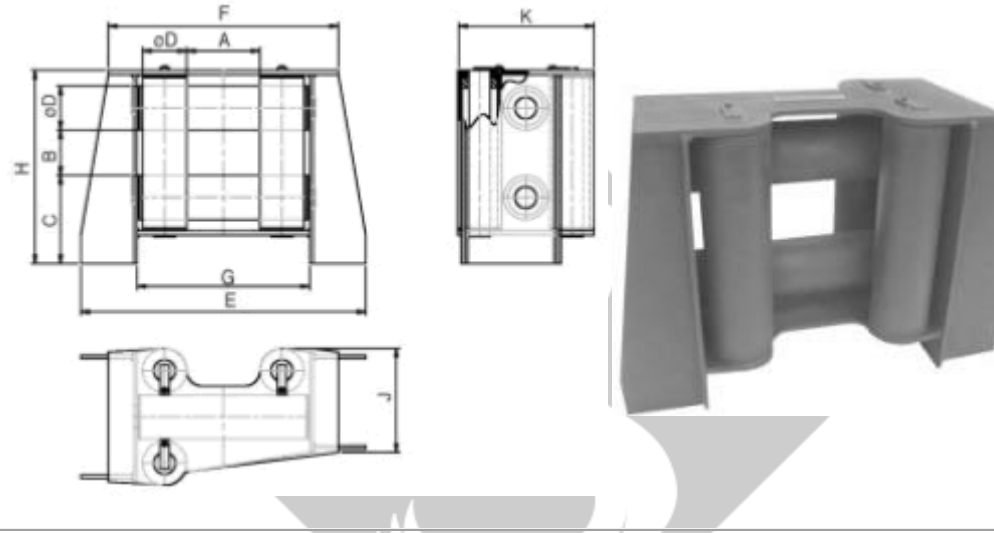
Property of Saxton Marine



Type	Part Number	SWL (tonnes)	Diameter Wire Rope	A	B	C	D	E	F	G	H	J
114	A2-562	8	10 - 15	254	152	309	114	800	666	534	645	280
140	A2-525x	12	16 - 20	254	152	335	140	898	724	578	697	356
168	A2-551x	16	21 - 26	254	152	363	168	970	778	634	753	407
194	A1-556	25	27 - 34	324	200	389	194	1258	1016	762	853	457
273	A1-511	38	35 - 40	324	200	543	273	1492	1168	920	1111	682
324	A1-563	45	41 - 44	324	200	624	324	1652	1290	1022	1223	698
356	A1-564	~	~	508	254	706	356	1950	1550	1270	1441	764
406	A1-565	~	~	508	254	756	406	2390	1300	1420	1541	914

M A R I N E

Property of Saxton Marine



Type	Part Number	SWL (tonnes)	Diameter Wire Rope	A	B	C	D	E	F	G	H	J	K
114	A2-567	8	10 - 15	254	152	309	114	800	666	534	645	280	362
140	A2-527	12	16 - 20	254	152	335	140	898	724	578	697	356	440
168	A2-553	16	21 - 26	254	152	363	168	970	778	634	753	400	524
194	A1-558	25	27 - 34	324	200	389	194	1258	1016	762	853	457	602
273	A1-513	38	35 - 40	324	200	543	273	1492	1168	920	1111	682	838
324	A1-570	45	41 - 44	324	200	624	324	1652	1290	1022	1223	698	992
356	A1-571	~	~	508	254	706	356	1950	1550	1270	1441	764	1088
406	A1-572	~	~	508	254	756	406	2390	1800	1420	1541	914	1270