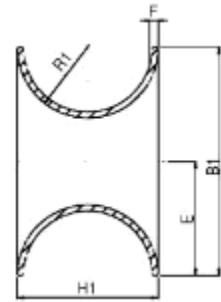
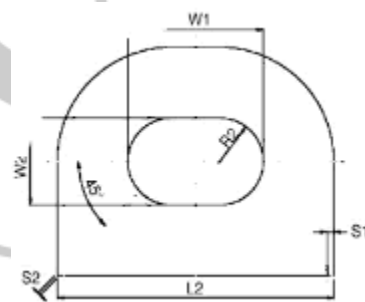
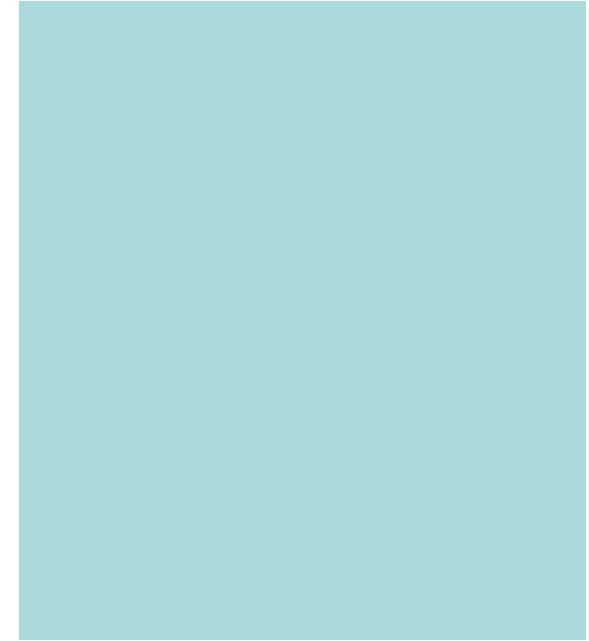


## Property of Saxton Marine

### Deck Mounted Panama Bows

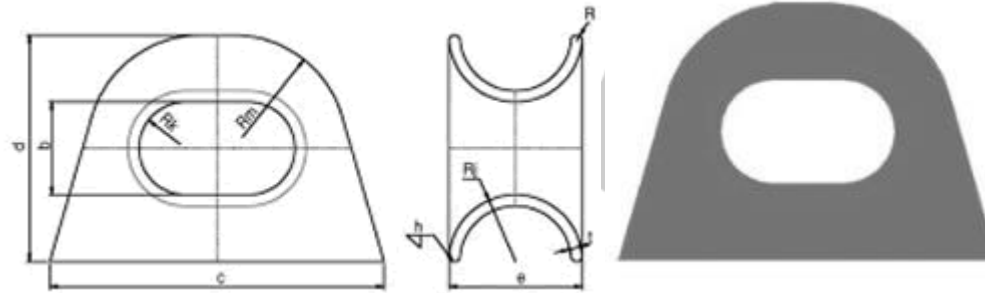
Please note that dimensions and weights are nominal and small variations are reserved. E & OE



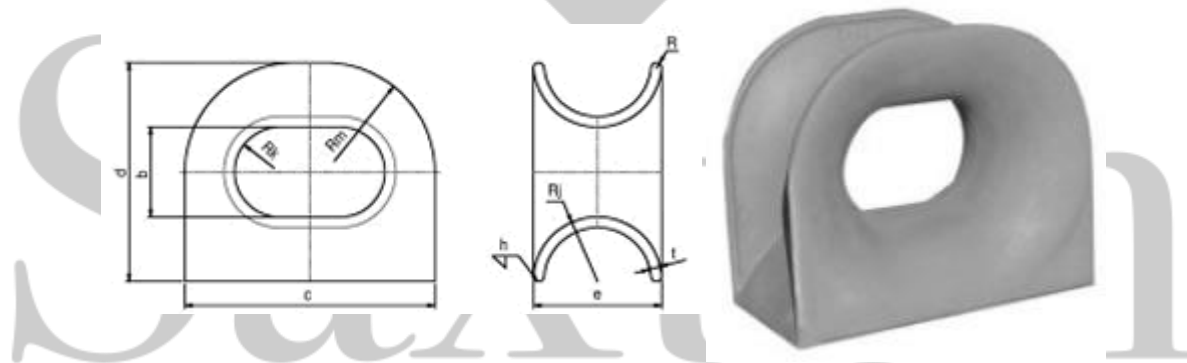
| Type | Kn | B1  | E   | F  | H1  | L2  | R1  | R2 | S1 | S2 | W1  | W2  | Weight (Kgs) |
|------|----|-----|-----|----|-----|-----|-----|----|----|----|-----|-----|--------------|
| C5   | 50 | 480 | 240 | 24 | 300 | 550 | 150 | 90 | 16 | 8  | 250 | 180 | 85           |

## Property of Saxton Marine

|     |     |      |       |    |     |      |     |       |    |    |     |     |     |
|-----|-----|------|-------|----|-----|------|-----|-------|----|----|-----|-----|-----|
| C8  | 80  | 585  | 292.5 | 27 | 260 | 680  | 180 | 112.5 | 18 | 9  | 320 | 225 | 136 |
| C12 | 125 | 710  | 355   | 30 | 440 | 840  | 220 | 135   | 20 | 10 | 400 | 270 | 211 |
| C20 | 200 | 840  | 420   | 33 | 520 | 1020 | 260 | 160   | 22 | 11 | 500 | 320 | 325 |
| C32 | 320 | 1100 | 550   | 35 | 700 | 1300 | 350 | 200   | 35 | 20 | 600 | 400 | 840 |



| Standard             | Size      | a   | b   | c   | d   | e   | Rj  | Rk  | Rm  | R  | t  | h  | Weight (Kgs) |
|----------------------|-----------|-----|-----|-----|-----|-----|-----|-----|-----|----|----|----|--------------|
| DVS 47005 Danish Std | 400 x 250 | 400 | 250 | 900 | 610 | 360 | 180 | 125 | 305 | 15 | 30 | 10 | ~            |



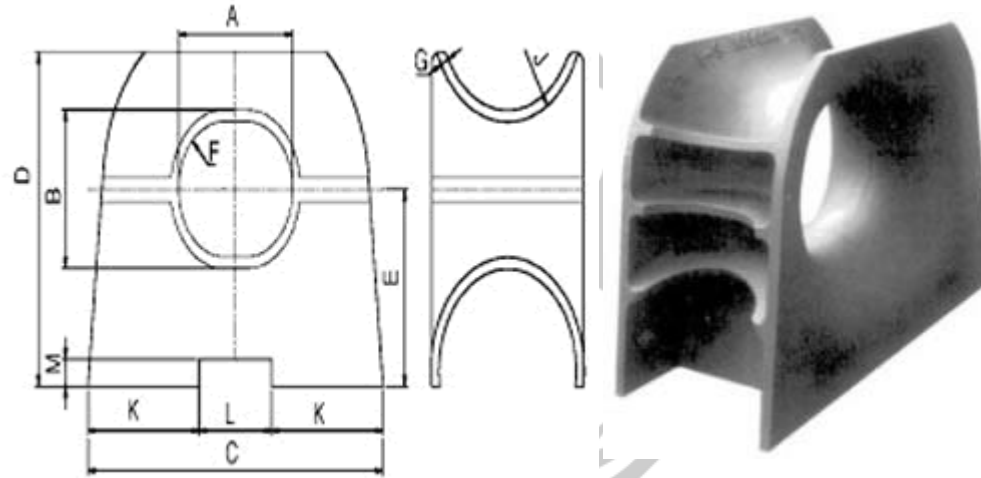
| Std                  | Size      | a   | b   | c   | d   | e   | Rj  | Rk  | Rm  | R    | t  | h | Weight (Kgs) |
|----------------------|-----------|-----|-----|-----|-----|-----|-----|-----|-----|------|----|---|--------------|
| Vis 3 Swedish Std    | 300 x 200 | 300 | 200 | 530 | 430 | 230 | 115 | 100 | 215 | 12.5 | 25 | 8 | 85           |
| Vis 3 Swedish Std    | 400 x 250 | 400 | 250 | 760 | 610 | 360 | 180 | 125 | 305 | 12.5 | 25 | 8 | 185          |
| DVS 47005 Danish Std | 300 x 250 | 330 | 250 | 660 | 610 | 360 | 180 | 125 | 305 | 10   | 20 | 8 | 117          |

E: [info@saxtonmarine.co.uk](mailto:info@saxtonmarine.co.uk)

Tel: +44 (0) 1446 781092

### Property of Saxton Marine

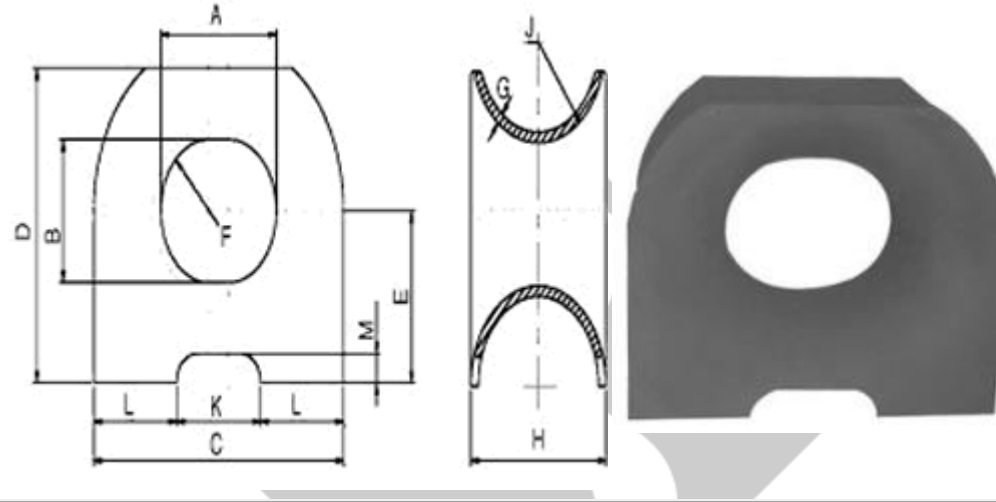
|                      |           |     |     |     |     |     |     |     |     |      |    |   |     |
|----------------------|-----------|-----|-----|-----|-----|-----|-----|-----|-----|------|----|---|-----|
| DVS 47005 Danish Std | 400 x 250 | 400 | 250 | 760 | 610 | 360 | 180 | 125 | 305 | 12.5 | 28 | 8 | 185 |
| NS 2590 Norsk Std    | 300 x 250 | 300 | 250 | 660 | 610 | 360 | 180 | 125 | 305 | 10   | 20 | ~ | 117 |



| Std           | Size      | A   | B   | C    | D    | E   | F   | G  | H   | J   | K     | L   | M  | Weight (Kgs) |
|---------------|-----------|-----|-----|------|------|-----|-----|----|-----|-----|-------|-----|----|--------------|
| <b>Amazon</b> | 315 x 250 | 315 | 250 | 815  | 620  | 365 | 125 | 22 | 380 | 190 | 307.5 | 200 | 50 | ~            |
| <b>Nile</b>   | 425 x 280 | 425 | 280 | 1075 | 785  | 450 | 140 | 26 | 500 | 250 | 412.5 | 250 | 60 | 378          |
| <b>Hudson</b> | 600 x 450 | 600 | 450 | 1360 | 1000 | 575 | 225 | 30 | 560 | 280 | 530   | 300 | 70 | 628          |

Saxton  
MARINE

## Property of Saxton Marine



| Std               | Size      | A   | B   | C   | D   | E   | F   | G  | H   | J   | K   | L   | M  | Weight (Kgs) |
|-------------------|-----------|-----|-----|-----|-----|-----|-----|----|-----|-----|-----|-----|----|--------------|
| <b>Tyne</b>       | 305 x 254 | 305 | 254 | 660 | 559 | 305 | 127 | 19 | 356 | 178 | 222 | 216 | 51 | 133          |
| <b>Clyde</b>      | 305 x 254 | 305 | 254 | 660 | 673 | 420 | 127 | 19 | 356 | 178 | 222 | 216 | 51 | 142          |
| <b>Team</b>       | 356 x 254 | 356 | 254 | 712 | 559 | 305 | 127 | 19 | 356 | 178 | 248 | 216 | 51 | 136          |
| <b>Spey</b>       | 356 x 254 | 356 | 254 | 712 | 673 | 420 | 127 | 19 | 356 | 178 | 248 | 216 | 51 | 140          |
| <b>Ouse</b>       | 400 x 270 | 400 | 270 | 712 | 559 | 305 | 135 | 19 | 356 | 229 | 248 | 216 | 51 | 137          |
| <b>Team Plus</b>  | 406 x 254 | 406 | 254 | 762 | 559 | 305 | 127 | 19 | 356 | 178 | 248 | 267 | 51 | 155          |
| <b>Tamar Plus</b> | 508 x 406 | 508 | 406 | 864 | 711 | 381 | 203 | 19 | 356 | 178 | 286 | 292 | 51 | 229          |
| <b>Tamar</b>      | 610 x 305 | 610 | 305 | 965 | 610 | 330 | 152 | 19 | 356 | 178 | 324 | 319 | 51 | 200          |

- [Metric Break & Proof loads](#)

M A R I N E